

Introduction

The Teldat RS1800 router is specially designed for cloud services thinking in all branch office communications. Depending on the model it includes a dual WAN combo interface(Ethernet or Fiber), a switch and one advanced LTE interface(Category 6). The Teldat RS1800 provides corporate data communications with a compact form factor, low power consumption and no fans for high MTBF.

The RS1800 can be installed in work areas with no noise or using the rack kit for communications cabinets. The Teldat RS1800 router family is the ultimate IP communications solution for small and medium offices.

Product Highlights

- ▶ Traditional router or SDWAN edge for branch office
- ▶ Flexible dual WAN connectivity: FTTH/Fiber
- ▶ Integrated switch for local devices
- ▶ Professional software features
- ▶ Models with Advanced LTE
- ▶ Smart design, no fan, silent
- ▶ Console port for out-of-band management

Interfaces

Teldat RS1800

2x WAN combo ports available	2nd GE/SFP interface enabled by license
LAN connectivity	4-port Gigabit Ethernet switch
WWAN interface(Only LTE models)	LTE-A up to 300Mbps DL
Console port	Yes

Competitive Advantage

It accelerates cloud services migration	The RS1800 enables smooth transition from traditional communications in remote offices to a hybrid SD-WAN network, ensuring the client's investment.
Enterprise-class data connectivity	Up to 600Mbps aggregated(bidirectional) performance in routing scenarios, sophisticated QoS and professional VPN-multivendor capabilities
Reducing Total Cost of Ownership	Customer can replace multiple devices by a single and flexible unit like RS1800 for the overall communications reducing costs and simplifying operations.
Full wireless WAN services	The RS1800 is a corporate router that allows providers to offer WAN services without cables to their customers(LTE-A Category 6, up to 300Mbps DL/50Mbps UL).

Scenarios

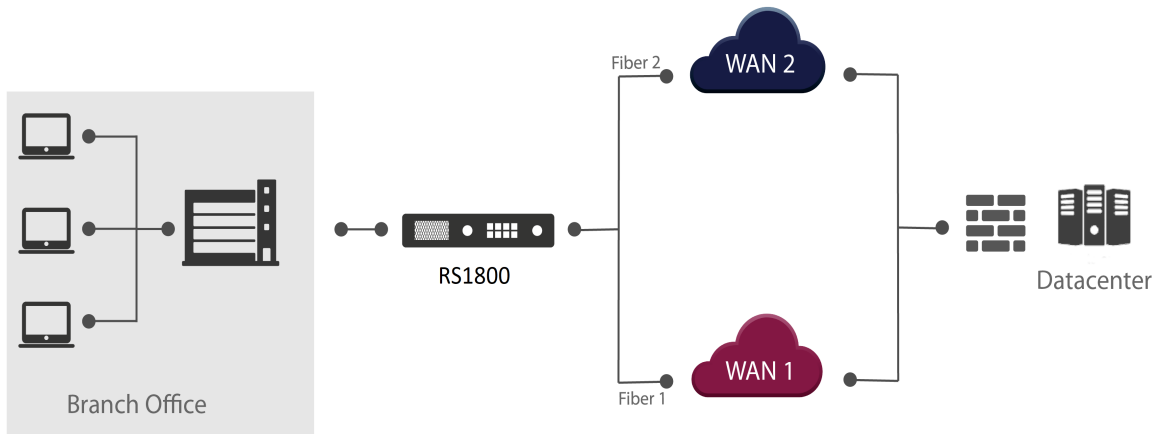


Figure: Dual WAN services

Key Features

High WAN flexibility with copper/fiber Built-in two electrical/optical Gigabit Ethernet interfaces to accommodate any connectivity scenario, whether single or redundant. Second WAN enabled under optional license.

Very good performance Base aggregated performance: 200Mbps. Up to 600Mbps aggregated performance with additional software license.

Hardware encryption(Optional) Software encryption included by default. Hardware encryption available as an option

Onboard 4xGE switch The built-in switch is ideal for small offices because it eliminates the need for an external switch, thus reducing costs and points of failure. GE, duplex, self-negotiable ports.

Wireless WAN connectivity Models with LTE-Advanced Cat-6 embedded module delivers up to 300 Mbps download speed.

Advanced services The RS1800 application software includes all the advanced functions needed in corporate networks and carrier services, ready for the professional most demanding scenarios.

Easy deployment: Low complexity and operational costs The RS1800 is the more agile and affordable edge model with easy network deployment(Zero Touch Provisioning) and cloud services ready.

Dying-Gasp on WAN The RS1800 sends an alarm to the central management tool in case of any issue with the power-source avoiding false alarms badly diagnosed and optimizing their resolution.

No fan, no noise, ready for offices Desktop/Rack fanless solution without noise and perfect for LTE or WLAN services at the office

HARDWARE TECHNICAL FEATURES

LAN connectivity

4x 10/100/1000 ethernet ports (LAN/WAN configurable)
RJ45 connector, selfnegotiation, automatic crossover
802.3i (10BaseT), 802.3u (100BaseT), 802.3ab (1000BaseT)

WWAN interface(Some models)

Built-in hardware module with Advanced LTE cat.6
LTE with fallback to 3G
2 external antennas with SMA connector

Dimensions and environmental specifications

L x W x H: 310 x 180 x 45 mm
Format: Desktop, wall and rack mounting (optional kit)
Temperature: 0 to 45 °C, Storage: -25°C to 70°C

2xWAN Combo GE & SFP

WAN 1(Default): 1x 10/100/1000 RJ45 LAN port/1x 1000 Mbps SFP slot

WAN 2(Optional license): same than WAN1

Optical interface: 1000 Mbps (1000BASE-X) LX/LH-SX-ZX

Teldat RS1800 models

RCRS18H01, RCRS18H01-LTE1(EU/AM), RCRS18H01-LTE2(APAC)

SOFTWARE TECHNICAL FEATURES

IP protocol

ARP, ARP Proxy, MTU discovery, NAT/PAT, ICMP, BFD
Static and dynamic routing: RIP, OSPF, BGP, policy based routing(PBR)
Virtual Router Forwarding (Multi-VRF)

Security (1)

IPSec support in transport and tunnel mode.
Pre-shared authentication, RSA, Certificates, MDS, SHA-1
Encrypted: DES (56 bits), 3DES (168 bits), AES (128, 192 and 256 bits)

IP services

FTP, SFTP, SSH, Telnet server and client
NTP, LDAP, Syslog, SCP client. TFTP server
DHCP server/client/relay, DNS Proxy, dynDNS

IPv6

Dual Stack, IPv6oIPv4, IPv4oIPv6, GRE, 6rd, DHCP, ICMPv6, SLAAC
Static and dynamic routing RIPng, OSPFv3, MP-BGP
Multicast: MLD, MLDv2, Listener, Querier

Management

CLI configuration and storage in a plain text file
RADIUS and TACACS+ AAA support, Netflow, RMON, SNMPv1, v2c y v3
Cloud Net Manager tool(HTTPS based)

IP protocol (2)

Multicast routing: IGMP (v1,v2, v3), PIM-SM, MSDP, MLD, MLDv2
IPSLA service probes (delay, packet loss, jitter)
High availability: VRRP, HSRP

Security (2)

MAC filtering. Static and dynamic access lists(ACLs)
Session-based Firewall
Deep packet inspection(L7 firewall)

Quality of Service(QoS)

Classification, marking, BW management, BW prioritization and limitation
Strict policies (PQ), Low latency (LLQ), by weight/type (WFQ, CBWFQ)
802.1p tagging. DSCP/ToS/Cos/proprietary mapping

Voice over IP

Protocols: SIP2.0 (UDP, TCP, TLS), H323, UA-NOE, SRTP, SCCP
Support for terminals SIP, UA-NOE, H323, SCCP
SIP trunking and IP-PBX features

SDWAN networks

Overlay over hybrid networks with App-aware routing, QoS and Visibility
Central SD-WAN flow control including Zero Touch Provisioning
Applications Service Chaining

ADDITIONAL TECHNICAL FEATURES

Out of band management (Console port)

RJ45 female connector with proprietary pinouts (including adapter)
Type RS232, N81
Default speed 9600 bps, maximum speed 115200 bps

MTBF and maximum power consumption

MTBF: 392KHours
Max. Power: 14W(no LTE version)
Internal Dying Gasp Support

LEDs

Power supply, Status, WAN-1, WAN-2, LAN, WLAN-1, WLAN-2
Cell, 4xRSSI, 2xSIM, GPS & Cloud
2 additional LEDs for each Ethernet port (link, speed and activity)

FLEXIBLE COMMUNICATIONS SOLUTIONS THAT GROW WITH YOU.

Teldat RS1800

All in one solution for branch offices



Teldat is a leading provider in Enterprise Communications equipment and Services for the top corporate to mid-sized and SME markets.

About TELDAT



ROUTERS | Wi-Fi | MANAGEMENT | TRANSPORT | SMART GRID | INDUSTRIAL | VoIP | CLOUD | SECURITY | NFV |

Teldat Group is a leading technology holding that designs, manufactures and distributes advanced Internetworking platforms for corporate environments, providing new and cutting-edge communication solutions without ever losing sight of its customers real requirements. Teldat's solutions development is based on proprietary technology, which is in the Group's DNA. This allows Teldat to be a leading provider in Enterprise Communications equipment and Services for the top corporate to midsized markets, as well as the SME and SoHo markets.

From a geographical viewpoint, Teldat Group has a presence in all continents, with its corporate headquarters located in Spain, and operational affiliates in Europe (Germany, Austria, Portugal, Italy and France) and in LATAM (Mexico and Brazil), as well as two business development offices in USA and China.

 **Teldat** | GROUP | Headquarters

Spain

Teldat S.A.
Parque Tecnológico de Madrid
Tres Cantos - 28760
Madrid (Spain)
Phone: +34 91 807 6565
info@teldat.com

Germany

bintec elmeg GmbH
Suedwestpark 94. 90449
Nuremberg (Germany)
Phone: +49 911 9673 0
info@bintec-elmeg.com

Our sales offices contact details are on www.teldat.com



©2018 Teldat S.A. | This data sheet shall be used only for information purposes. Teldat reserves the right to modify any specification without prior notice. All trademarks mentioned in this document are the property of their respective owners. Teldat accepts no responsibility for the accuracy of the information from third parties contained on this document.
Publish Date: June 15, 2021
Version: 20210615100029